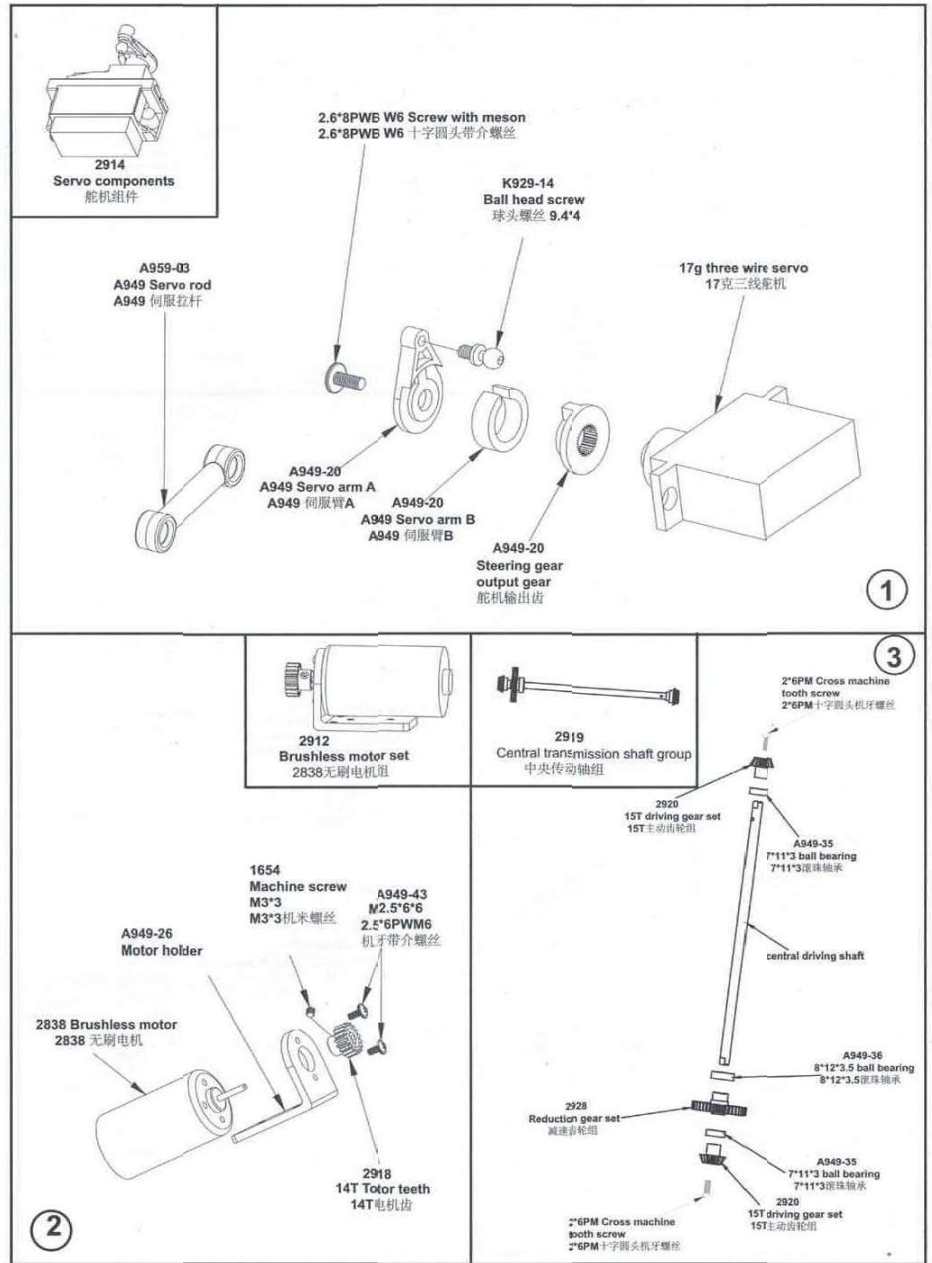
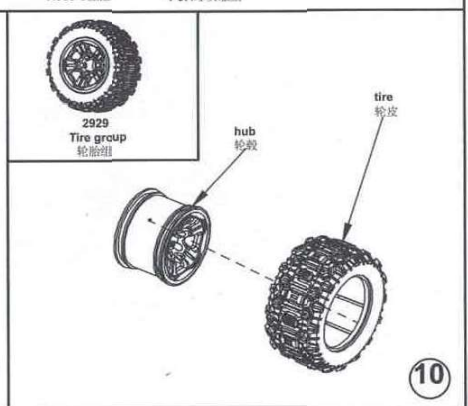
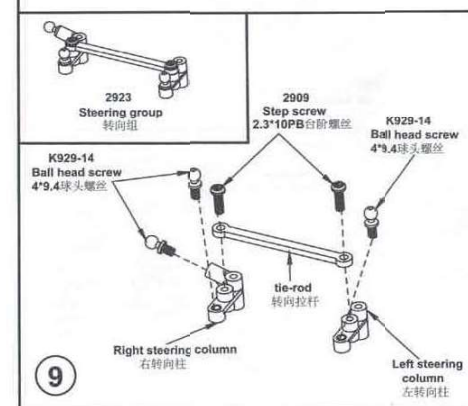
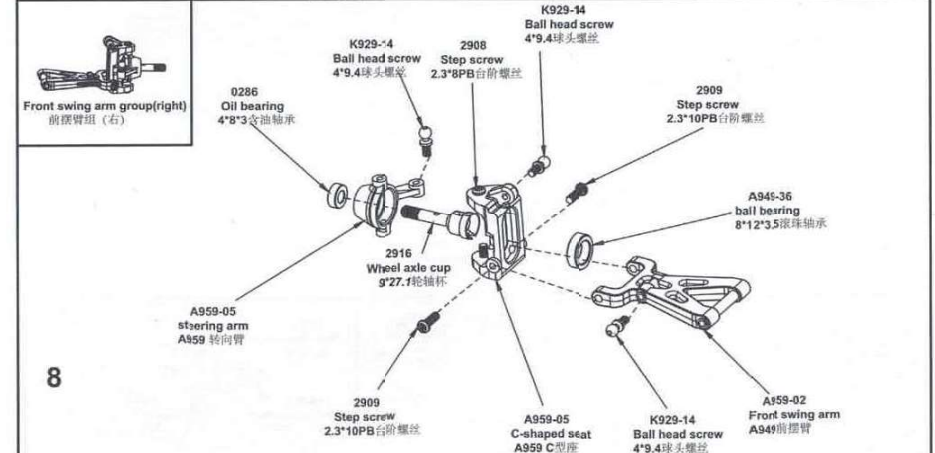
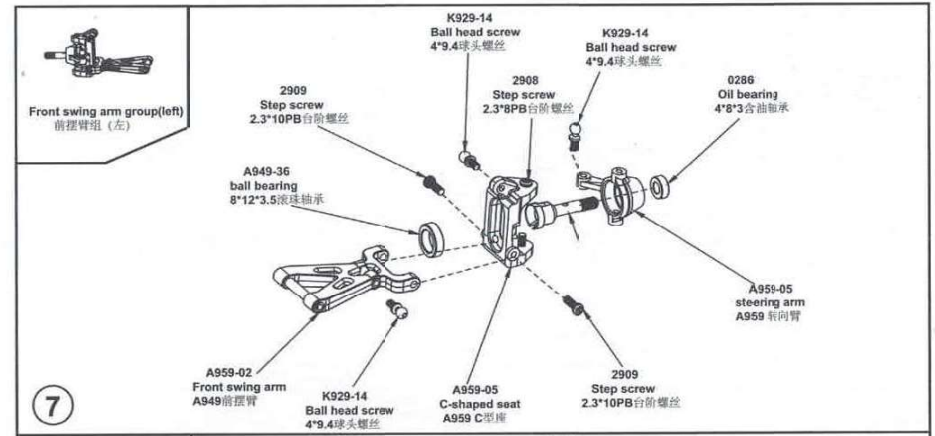
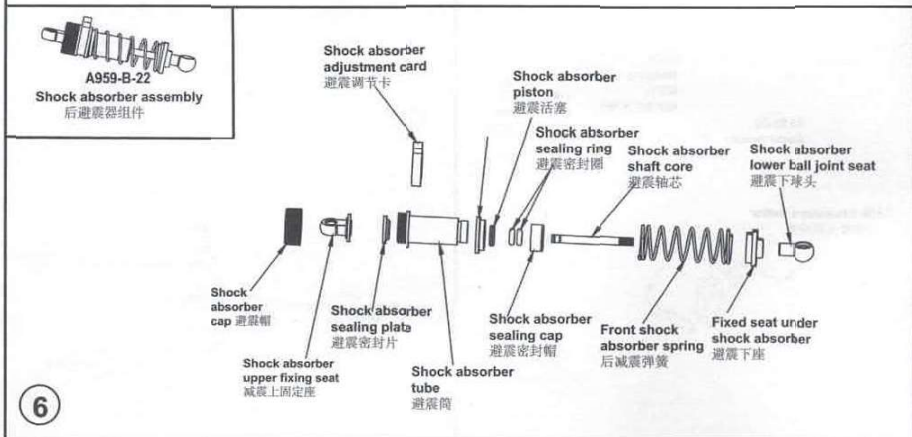
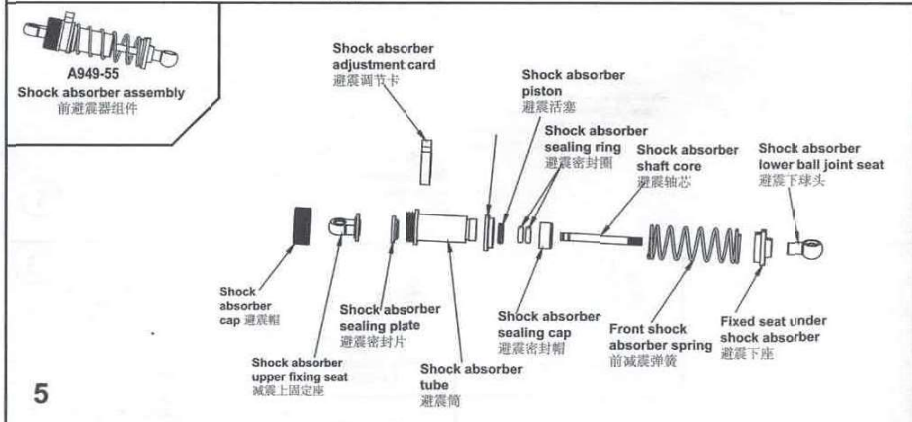
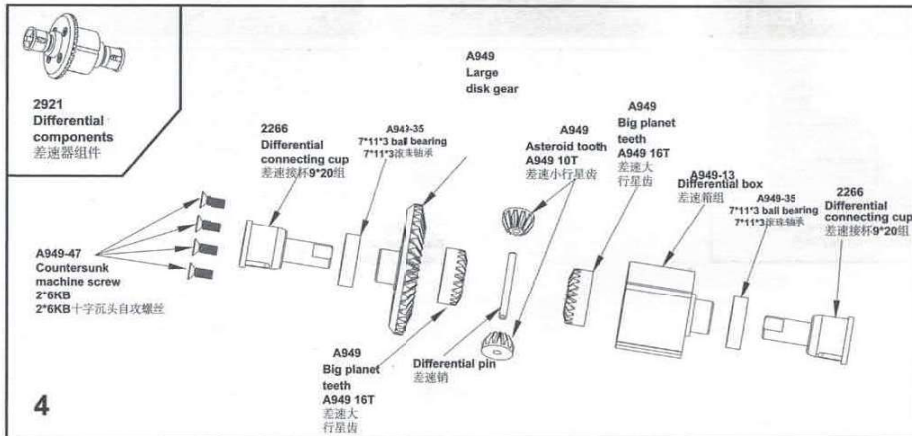
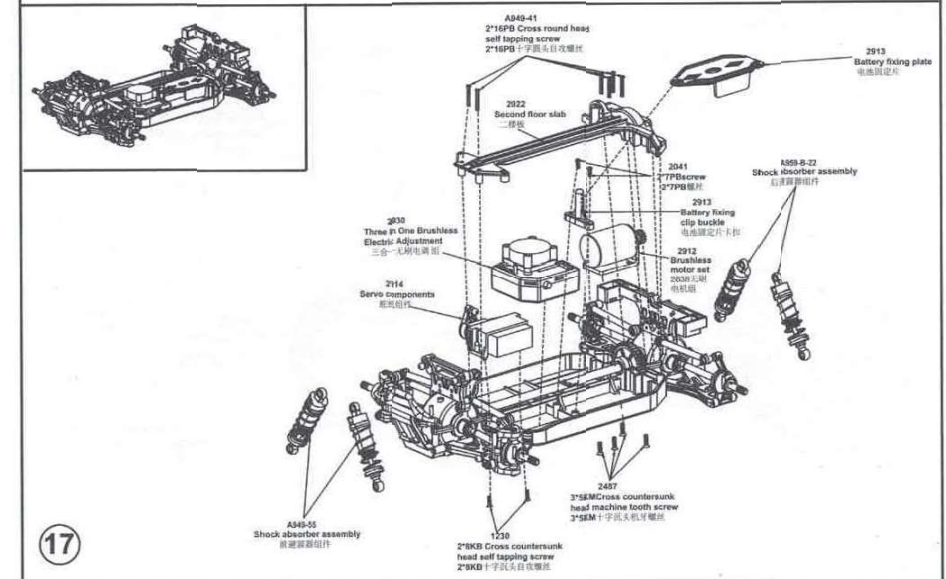
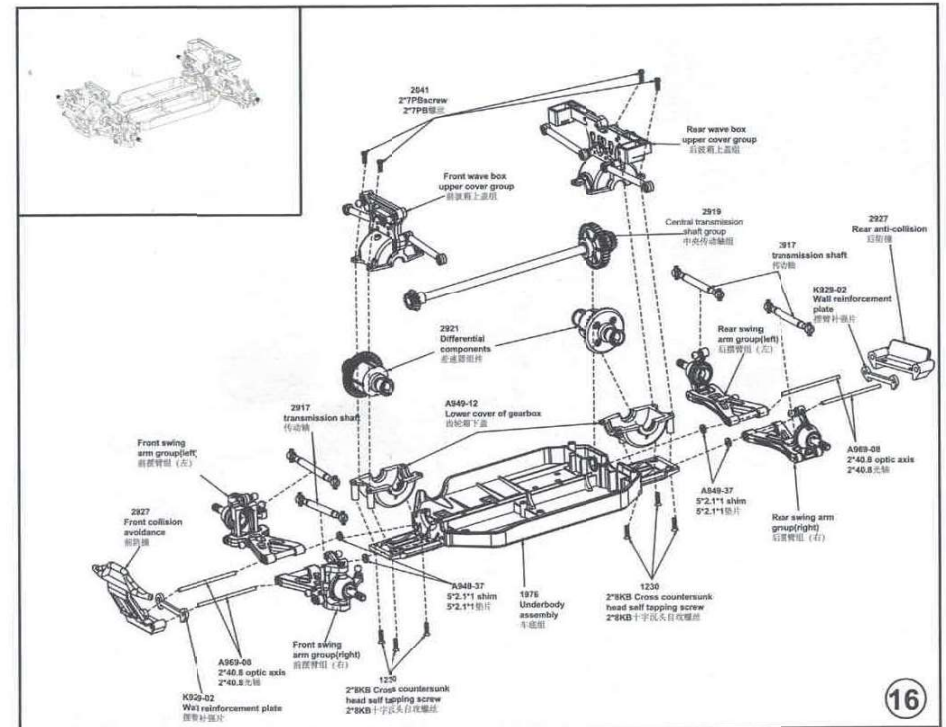
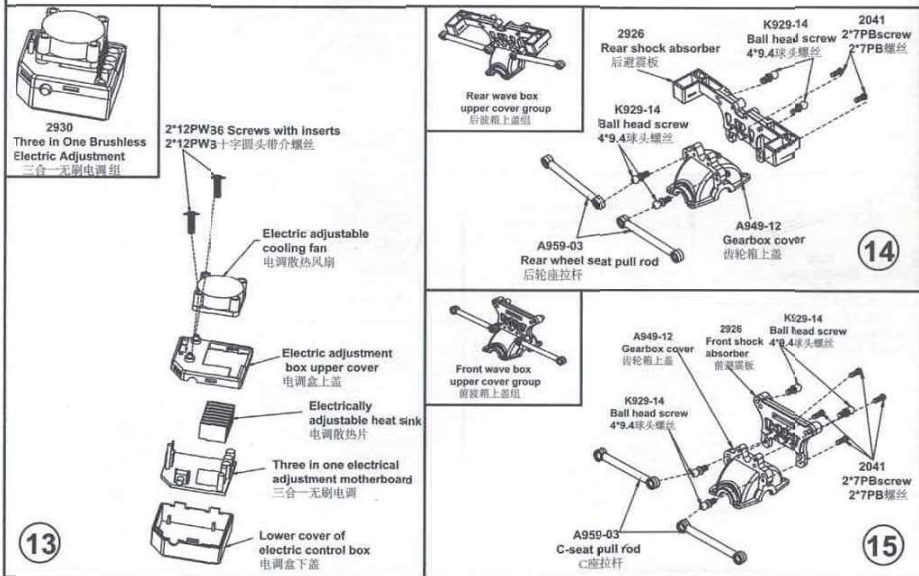
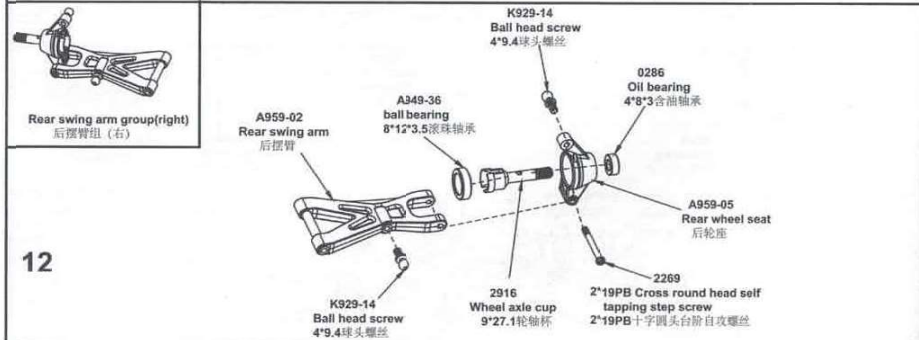
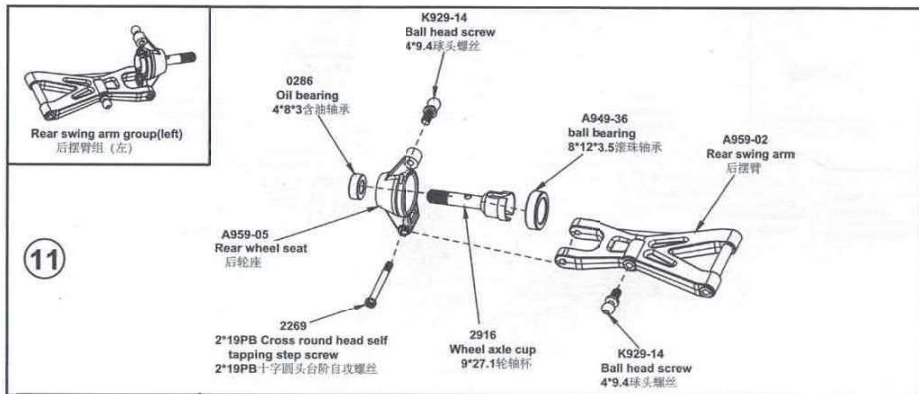
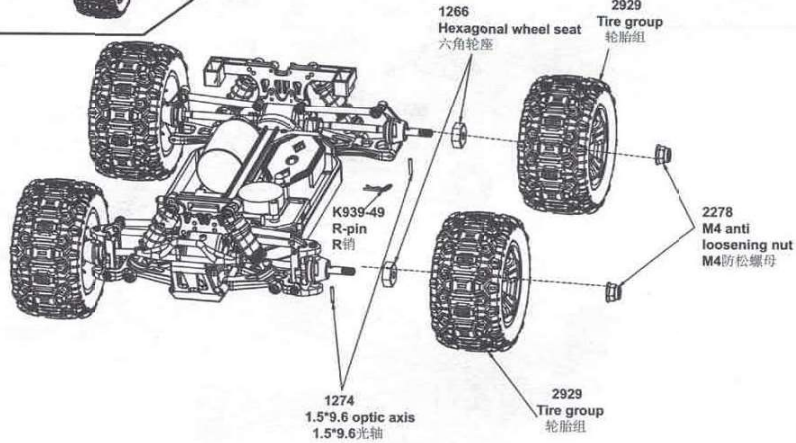
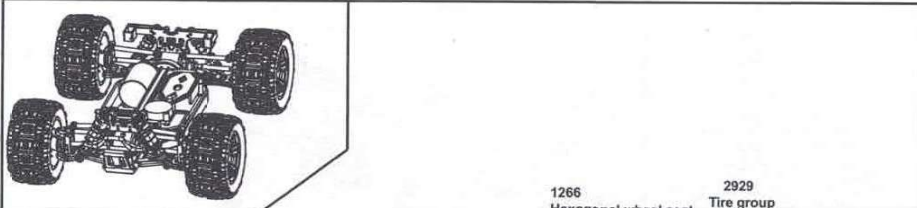


Assembly Exploded Diagram

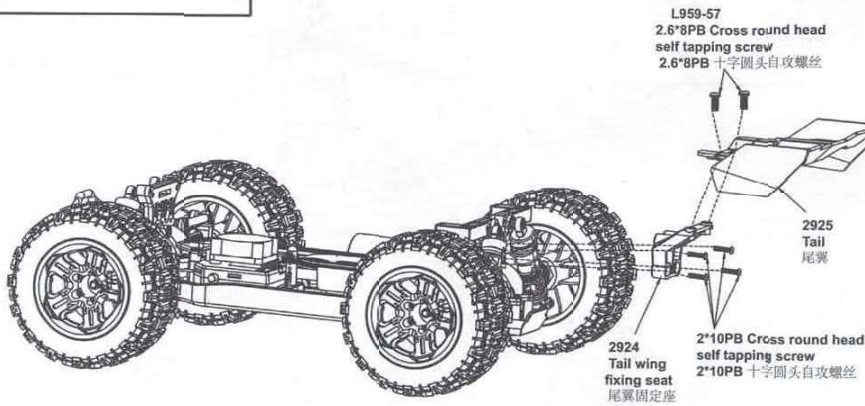
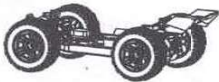








18

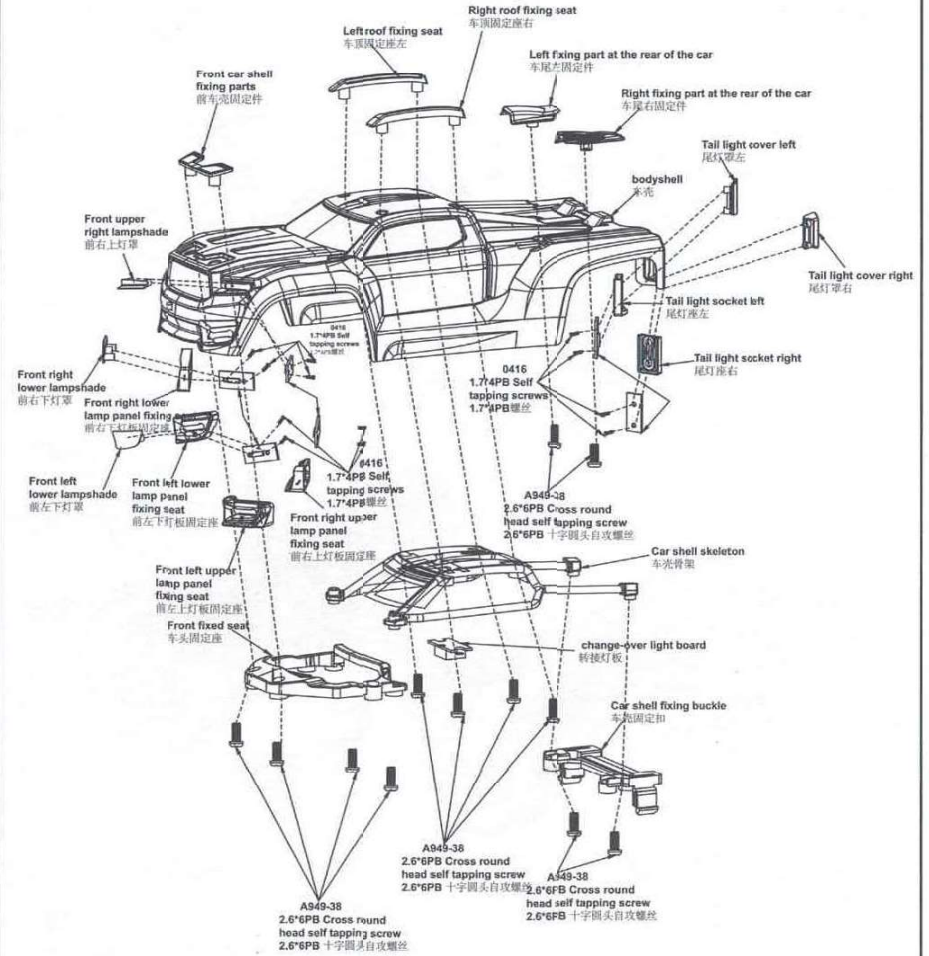


19

13



2931
Red car shell group
红色车壳组

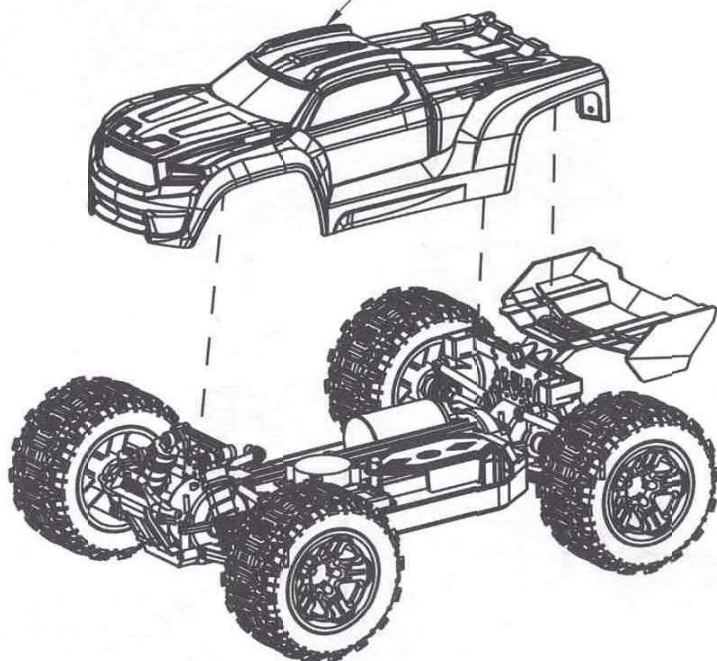


20

14



2931
Red car shell group
红色车壳组



Sale parts view 销售配件图

<p>A959-02</p>	<p>A949-12</p>	<p>A949-13</p>	<p>A949-20</p>	<p>A949-41</p>	<p>A949-47</p>
<p>Front and rear swing arm assembly 前后摆臂组</p>	<p>Gearbox upper and lower cover components 齿轮箱上下盖组件</p>	<p>Differential box assembly 差速箱组</p>	<p>Servo arm A/B/C return spring assembly 伺服臂A/B/C回位簧组</p>	<p>Round head self tapping screws 2*16 sets 圆头自攻螺丝2*16组</p>	<p>2*6 sets of countersunk self tapping screws 2*6KB 十字沉头自攻螺丝</p>
<p>A969-08</p>	<p>K929-02</p>	<p>1230</p>	<p>0426</p>	<p>1654</p>	<p>A949-35</p>
<p>2*40.8 optical axis 2*40.8 光轴</p>	<p>Arm reinforcement plate group 摆臂补强片组</p>	<p>2*8 sets of countersunk self tapping screws 2*8KB 十字沉头自攻螺丝</p>	<p>2*10PB Cross round head self tapping screw set 2*10PB 十字圆头自攻螺丝组</p>	<p>M3*3 Machine screw M3*3 机米螺丝</p>	<p>7*11*3 ball bearing 7*11*3 滚珠轴承</p>
<p>A949-36</p>	<p>0891</p>	<p>1374</p>	<p>1976</p>	<p>A949-54</p>	<p>A949-38</p>
<p>8*12*3.5 ball bearing 8*12*3.5 滚珠轴承</p>	<p>Cross countersunk head machine tooth rep screw 2*29KM group 十字沉头机牙台帮螺丝 2*29KM组</p>	<p>USB charging cable USB 充电线</p>	<p>Underbody assembly 车底组</p>	<p>Battery pressure bar group 电池压条组</p>	<p>2.6*6PB Cross round head self tapping screw set 2.6*6PB 十字圆头自攻螺丝组</p>
<p>A949-43</p>	<p>2487</p>	<p>0286</p>	<p>A949-29</p>	<p>K939-49</p>	<p>2041</p>
<p>M2.5*6*6 Machine tooth belt intermediate screw 2.5*6*6 PWM6 机牙带介螺丝</p>	<p>3*5KM Cross countersunk head machine tooth screw 3*5KM 十字沉头机牙螺丝</p>	<p>Oil bearing 4*6*3 含油轴承</p>	<p>Motor heat sink 电机散热片</p>	<p>R-pin R 销</p>	<p>2*7PB Cross round head self tapping screw set 2*7PB 十字圆头自攻螺丝组</p>
<p>2271</p>	<p>2266</p>	<p>A949-37</p>	<p>A959-05</p>	<p>1266</p>	<p>A959-03</p>
<p>M2 Locknut M2 防松螺母</p>	<p>Differential connecting cup 差速连接杯9*20组</p>	<p>5*2.1*1 shim 5*2.1*1 垫片</p>	<p>C-shaped seat rear axle seat steering arm group C形座 后轴座转向臂组</p>	<p>Hexagonal wheel seat assembly 六角轮座组</p>	<p>Tie rod group 拉杆组</p>

Sale parts view 销售配件图

0922	2278	K929-14	A959-B-22	A949-55	2908
					
Cross round head step screw 2.5 * 8.7PB lower half tooth set 十字圆头台阶螺丝 2.5*8.7PB下半牙组	M4 flange locking nut M4法兰防松螺母	Ball head screw 9.4 * 4 4*9.4球头螺丝	Shock absorber assembly 后避震器组件	Shock absorber assembly 前避震器组件	Cross round head step screw 2.3 * 8PB 2.3*8PB台阶螺丝组
2909	2910	2911	2912	2913	2914
					
Cross round head step screw 2.3 * 8PB 2.3*8PB台阶螺丝组	V8-184008 remote control V8-184008遥控器	7.4V 1200 mAh lithium battery 7.4V 1200毫安锂电池	Brushless motor set 2838无刷电机组	Fixed battery pack 电池固定片组	Rudder crew 舵机组
2915	2916	2917	2918	2919	2920
					
Motor fixing seat 电机固定座	Wheel axle cup 9*27.1轮轴杯	Transmission shaft 传动轴	14T Totor teeth 14T电机齿	Central transmission shaft group 中央传动轴组	15T driving gear set 15T主动齿轮组
2921	2922	2923	2924	2925	2926
					
Differential components 差速器组件	Second floor slab 二楼板	Steering group 转向组	Tail wing fixing seat 尾翼固定座	Tail 尾翼	Front and rear shock absorber assembly 前后避震板组
2927	2928	2929	2930	2931	1274
					
Front and rear collision avoidance groups 前后防撞组	Reduction gear set 减速齿轮组	Tire group 轮胎组	Three in One Brushless Electric Adjustment 三合一电刷电机组	Red car shell group 红色车壳组	1.5*9.6 optic axis 1.5*9.6光轴
L959-57	0416				
					
Round head self tapping screws 2.6 * 8 PB sets 2.6*8PB十字圆头自攻螺丝	Round head self tapping screws 1.7*4PB sets 1.7*4PB十字圆头自攻螺丝				